

The STP L stop valve belongs to the LINE ON LINE® family and can be connected in series or in parallel with the other products in the same family. It is available in a version for pipe-pipe connection, which includes two push-in fittings, and a version for thread-pipe connection, which includes a nickel-plated brass male thread and a push-in fitting. The stop valve is normally mounted on the inlet port of cylinders and allows the flow of air only in the presence of a pneumatic pilot.

Cylinder movement ceases if there is a drop in pneumatic pilot pressure. The compressed air port is a push-in fitting for Ø 4 pipe. This stop valve is available in a unidirectional version, so the flow can be interrupted in one direction, but remains free in the other direction.

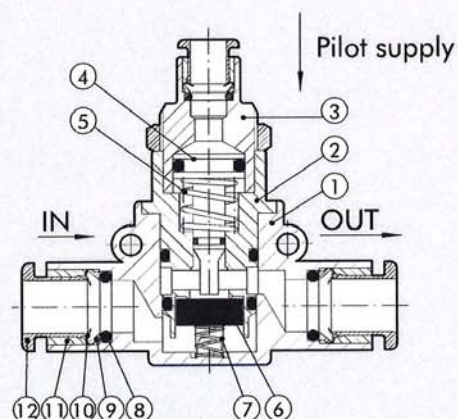
This valve can also be used as a unidirectional normally-closed 2/2 pneumatic control valve.



TECHNICAL DATA		Ø 6	Ø 8
Max. operating pressure	MPa	1	
	bar	10	
	psi	145	
Temperature range	°C	-20 to +60	
	°F	-4 to +140	
Recommended pipe		Rilsan PA 11 - Nylon 6 - Polyamide 12 - Polypropylene	
Fluid		Lubricated or unlubricated filtered air	
Compatibility with oils		Please refer to page 6-7 of the technical documentation	

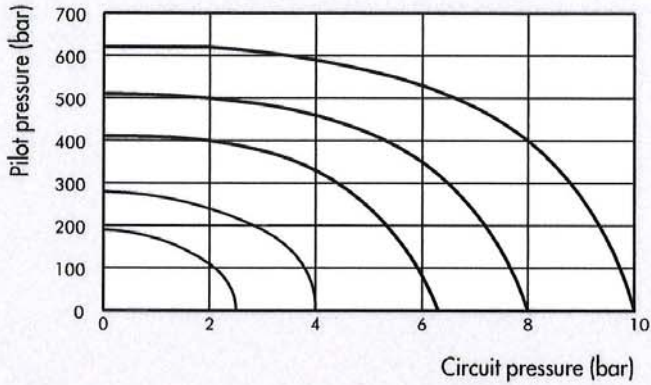
COMPONENTS

- ① Technopolymer body
- ② Nickel-plated brass insert
- ③ Nickel-plated brass pilot insert
- ④ Brass piston rod
- ⑤ Stainless steel clamping spring
- ⑥ NBR seal
- ⑦ Stainless steel poppet spring
- ⑧ NBR seal
- ⑨ Technopolymer spring ring
- ⑩ Stainless steel clip-on spring
- ⑪ Technopolymer stop bushing
- ⑫ Technopolymer release bushing

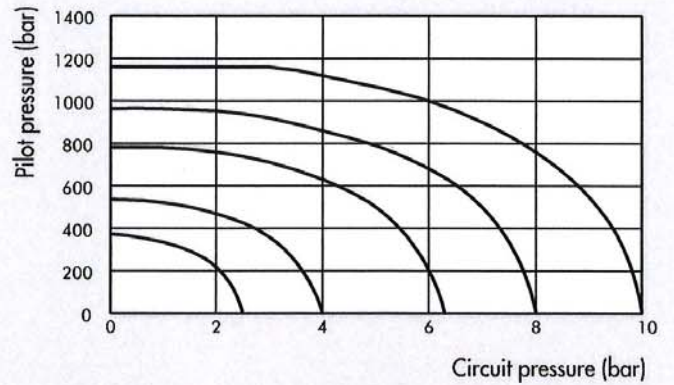


FLOW CHARTS

STP L Ø 6

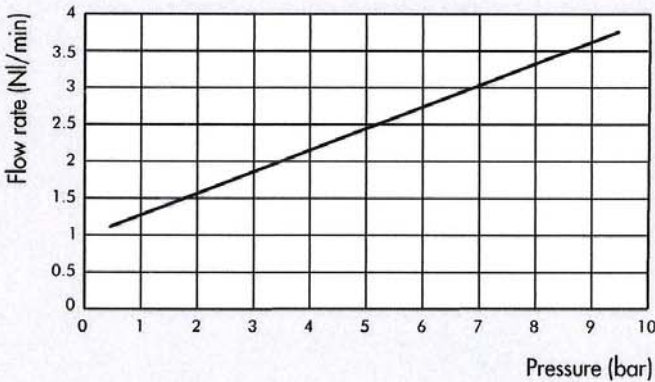


STP L Ø 8

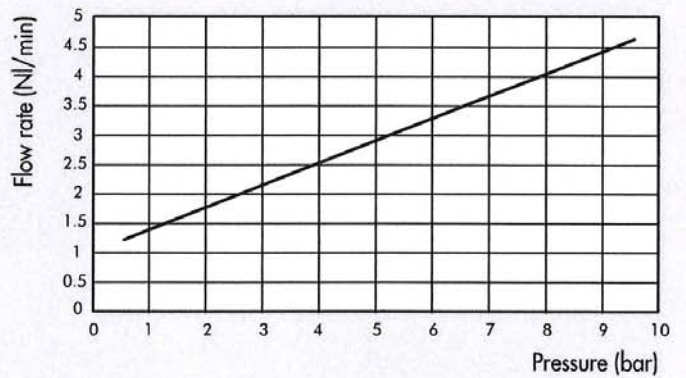


MINIMUM PILOT PRESSURE

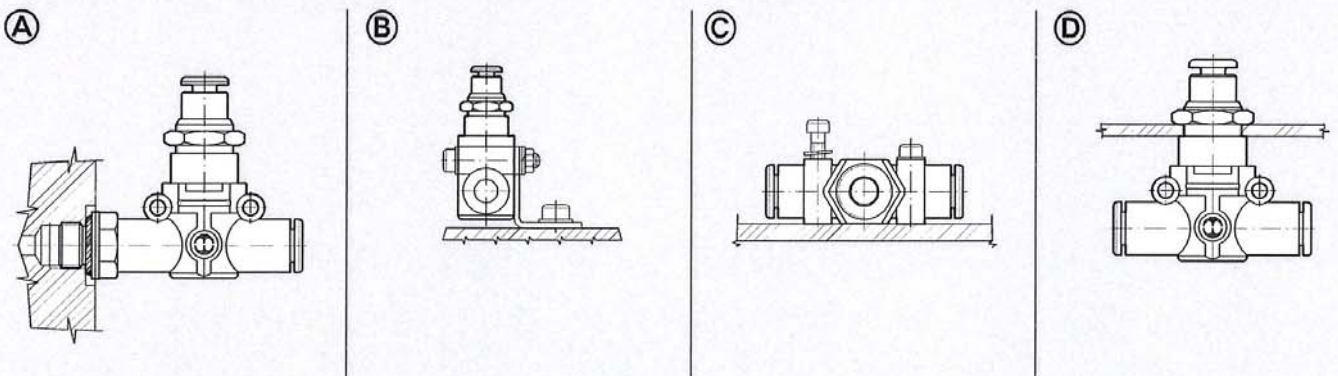
STP L Ø 6



STP L Ø 8

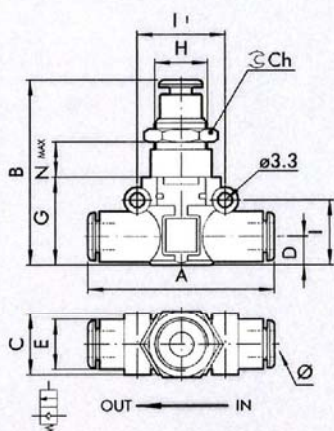


ASSEMBLY OPTIONS

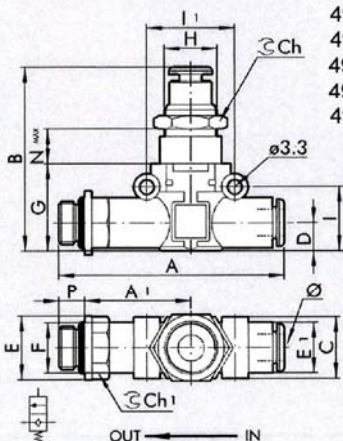


How to mount the STP L:

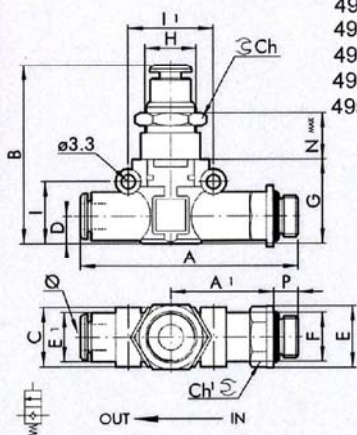
- Fig. (A) With the male threaded port it is possible to mount the STP L straight onto the actuator or the control valve.
- Fig. (B) Fixing to the plate with the special SQU L bracket.
- Fig. (C) There are two robust rings on the plastic body for fixing the STP L straight onto the wall.
- Fig. (D) The ring nut is screwed onto the threaded metal part of the STP L body for panel mounting.

STP L 2/2 PIPE - PIPE


Code	Ref.	Ø	A	B	C	D	E	G	H	I	II	Ch	Nmax
493-06	STPL2/2Ø6-Ø6	6	49.4	43.2	14.7	6.4	11.4	20	M12x0.75	14.6	20	15	4.7
493-08	STPL2/2Ø8-Ø8	8	57.3	49.7	18.7	9.1	13.8	26	M15x1	18.7	24	17	4

STP L 2/2 THREAD - PIPE


Code	Ref.	Ø	F	P	A	AI	B	C	D	E	EI	G	H	I	II	Ch	Ch1	Nmax
494.018-6	STPL2/2Ø6-1/8	6	1/8	6	58.5	27.8	43.2	14.7	6.4	14	11.4	20	M12x0.75	14.6	20	15	12	4.7
494.014-6	STPL2/2Ø6-1/4	6	1/4	8	61.5	28.8	43.2	14.7	6.4	18	11.4	20	M12x0.75	14.6	20	15	14	4.7
494.018-8	STPL2/2Ø8-1/8	8	1/8	6	66.2	31.8	49.7	18.7	9.1	15	13.8	26	M15x1	18.7	24	17	14	4
494.014-8	STPL2/2Ø8-1/4	8	1/4	8	70.6	34.2	49.7	18.7	9.1	18	13.8	26	M15x1	18.7	24	17	14	4
494.038-8	STPL2/2Ø8-3/8	8	3/8	9	72.2	34.8	49.7	18.7	9.1	22	13.8	26	M15x1	18.7	24	17	17	4

STP L 2/2 PIPE - THREAD


Code	Ref.	F	Ø	P	A	AI	B	C	D	E	EI	G	H	I	II	Ch	Ch1	Nmax
495.018-6	STPL2/21/8-Ø6	1/8	6	6	58.5	27.8	43.2	14.7	6.4	14	11.4	20	M12x0.75	14.6	20	15	12	4.7
495.014-6	STPL2/21/4-Ø6	1/4	6	8	61.5	28.8	43.2	14.7	6.4	18	11.4	20	M12x0.75	14.6	20	15	14	4.7
495.018-8	STPL2/21/8-Ø8	1/8	8	6	66.2	31.8	49.7	18.7	9.1	15	13.8	26	M15x1	18.7	24	17	14	4
495.014-8	STPL2/21/4-Ø8	1/4	8	8	70.6	34.2	49.7	18.7	9.1	18	13.8	26	M15x1	18.7	24	17	14	4
495.038-8	STPL2/23/8-Ø8	3/8	8	9	72.2	34.8	49.7	18.7	9.1	22	13.8	26	M15x1	18.7	24	17	17	4

Summary Art. No.:

Art. No.	Ident No.
493-06	106819
493-08	106820
494.018-6	106821
494.018-8	106822
494.014-6	106823
494.014-8	106824
494.038-8	106825
495.018-6	106826
495.018-8	106827
495.014-6	106828
495.014-8	106829
495.038-8	106830